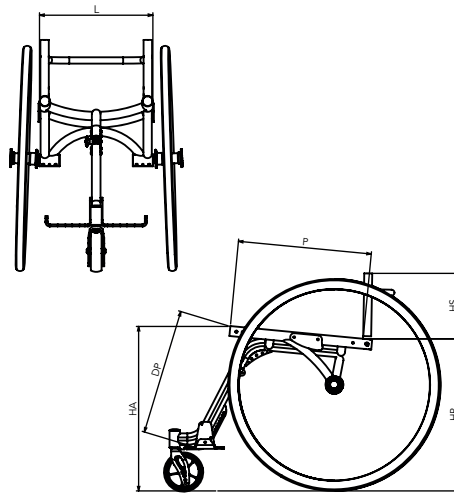


Dealer _____

Key standard option

FIXED
TITANIUM

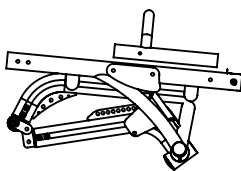
- L** Seat width 34 36 38 40 42 44
P Seat depth 36 38 40 42 44 46
HS Back-rest height range 27/31 range 31/37
HA Front seat/floor height 46 48 50 52
HP Rear seat/floor height 40 42 44 46 48
DP Foot-rest/seat distance 37 39 41 43 45 47 49 cm



Frame colour ①

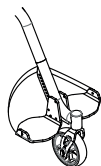
- Shiny titanium Glossy black
 Pearl white Matt black
 Natural titanium
 (see "Colours" catalogue)
 Neon green Neon orange

HINGED FRAME ②



- Carbon fibre footplates with heel stops (std)

- With coloured edges (on the heel stops, ev. edges of the straight sideguards) (available colours: red, green, light blue, cornflower blue, orange)(colour)



Uphostery ④

- Rigid carbon fibre seat (std)
 SAMEKH backrest (std)
 with shell in aluminium (matt black)
 with shell in carbon fibre

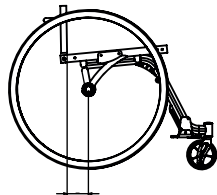
Pushing handles ⑤

- Without any pushing handles
 Standard FIXED
 Folding pushing handles

Rear wheel camber ⑥

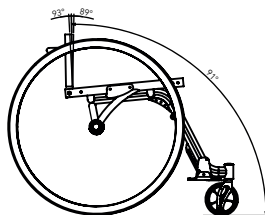
- 1° 2°
 3° 4°

Distance between the hub and the backrest ⑦



- 9 cm (standard) 7 cm
 3 cm 11 cm
 5 cm 13 cm

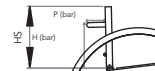
Adjustable back-rest tilt ⑧



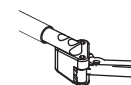
- 89°
 91° (standard)
 93°

Back-rest bar ⑨

- Standard:
 P(bar) 7,5cm;
 H(bar) 19cm;
 dia 19mm.
 Custom:
 P.....cm;
 H.....cm;
 dia.....mm.



Brakes ⑩

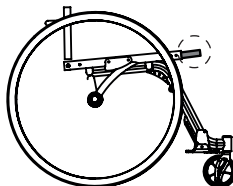


- Composite

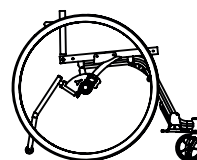
Side-guards ⑪

- Detachable with carbon fibre wing
 Detachable straight carbon fibre

Endings to contain the legs right & left ⑫



Revolving anti-tip device ⑬



- Right
 Left

Notes _____

Order N° _____ Quotation
 Date _____ Signature _____
 Customer ref. _____

PAGE 2/2
 2020, January

FIXED

Dealer _____

Rear wheels (14)

25" Light
 25" Spinergy LX
 Spinergy spoke colour.....Black (std)

26" Fixed black (16 spokes)
 26" Spinergy SLX
 Spinergy spoke colour.....Black (std)

28" Fixed black (16 spokes)
 28" Spinergy SLX
 Spinergy spoke colour.....Black (std)

28" w/3 spokes (black or white)
 28" comp.FAT

Coperture

Pneum. Marathon Plus black 25"/26"
 Pneum. Kenda (grey) 25"/26"/28"
 Coloured pneum. 28"

<input type="checkbox"/> red	<input type="checkbox"/> brown
<input type="checkbox"/> lime green	<input type="checkbox"/> white
<input type="checkbox"/> blue	<input type="checkbox"/> purple
<input type="checkbox"/> orange	<input type="checkbox"/> pink
<input type="checkbox"/> yellow	

Pushrims (15)

Dark aluminium 25"/26"/28"
 Titanium 25"/26"/28"

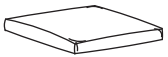
Spokeguards (16)

Transparent 26"/28"
 Fantasy 25"/26"/28"
 code pattern
 (see catalogue of spokeguards)

Front castors (with quick release axle) (17)

100 (4"x1.1/4) solid with plastic rim
 100 (4"x1) solid with lights
 100 (4"x1.1/4) solid with alum. rim
 125 (5"x1.1/4) solid with plastic rim
 125 (5"x1.1/4) solid with alum. rim
 125 (5"x1) solid with lights

Lined cushion in foam polyurethane (18)



3 cm high
 5 cm high

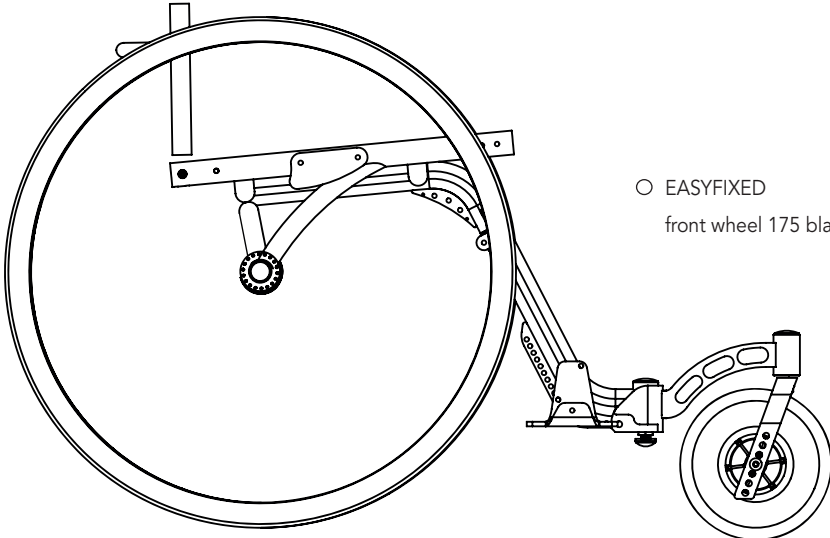
Anodized set (19)
 (Rear wheels rims & hubs if 25" LIGHT, fork and eventual Easyfixed fork, caps)

Black
 Silver
 Light blue
 Red
 Orange
 Cyclamen light purple
 (only 25" Light wheels)

Options

21 Coloured pump for pneumatics(colour)
 22 Blade for ice or snow
 23 "M+F" velcro strips (hook and loop) on seat
 24 "M" velcro strips (hook) on seat
 25 "F" velcro strips (loop) on seat

(20)



EASYFIXED
 front wheel 175 black colour with quick release axle